

Type C Coaxial Switches



This RLC Electronics' Mid-Size Coaxial Switch is a single pole, two position type providing extremely high reliability, long life and excellent electrical performance characteristics over the

frequency range of DC-18.0 GHz. The package utilizes high density packaging techniques, hence the overall volume of the switch is less than 3 cubic inches.

Specifications

S1-2C²⁻³⁻⁴⁻⁵⁻⁶⁻⁷

Switch Type	SINGLE POLE TWO POSITION		
Frequency Range	DC-18GHz		
Insertion Loss (Max dB)	DC-4.0	4.0-12.4	12.4-18.0
	0.2	0.3	0.4
VSWR (Max)	1.2	1.3	1.5
Isolation (dB Min)	80	70	60

Power Rating, RF Cold Switching: See page 5.

Impedance: 50 Ohms/75 Ohms*

Operating Power 25°C:

(**Failsafe**): 12Vdc at 250 ma nom.

28Vdc at 140 ma nom.

115 Vac at 50 ma nom.

(**Latching**): 12 Vdc at 120 ma nom. 28 Vdc at

60 ma nom. 115 Vac at 50 ma nom. Current applied

10 ms min. cutthroat circuitry (standard),

recovery time 100 ms nom.

Connectors, RF: SMA, TNC, BNC *Female

Connectors, Power: Feed through solder lugs.

Life: 1,000,000 operations.

Switching Time: 15 mS Max.

Weight: 5 oz.

Environmental Conditions: MIL-S-3928

Operating Mode: Manual, failsafe or latching.

Switching Sequence: Break before make.

*BNC not recommended for use above 1GHz.

*TNC not recommended for use above 12.4 GHz.

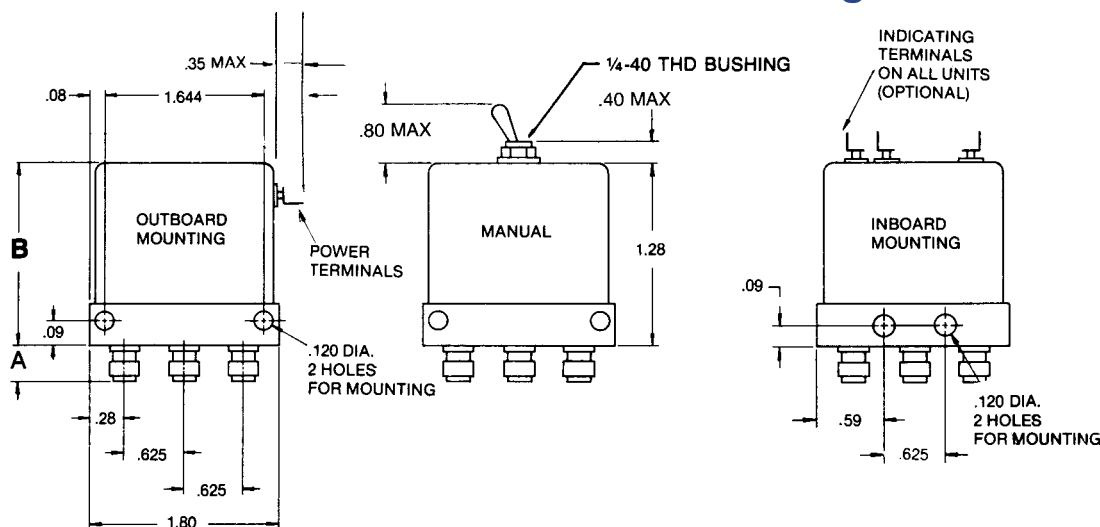
*75 ohm up to 3 GHz.

To designate the switch desired use:

- | | |
|--|--|
| (1) "M" for Manual, "R" for Remote. | (5) "I" for indicators if desired. |
| (2) "C" for outboard mountings or "Cin" for inboard mountings. | (6) "L" for latching cutthroat if desired. |
| (3) "B" for BNC, "T" for TNC or "R" for SMA connector types | (7) "TL" for TTL Driver if desired |
| (4) "A" for 115 Vac, "D" for 28 Vdc or "H" for 12 Vdc. | |

Example: SR-2C-R-D is a remote, outboard mounting, SMA Connectors, 28 Vdc; without indicators, Failsafe switch 50 ohms for 75 ohms SR75-2C

Outline Drawing



MODEL NO.	B
SR-2C-**-D	1.50
SR-2C-**-D-I	1.50
SR-2C-**-D-I-L	1.80
SR-2C-**-D-TL	1.80
SR-2C-**-D-I-TL	1.80
SR-2C-**-D-I-L-TL	1.80
Add .5 For 115 VAC	
Width of all units .7 in.	

CONN	A
SMA	.30
BNC/TNC	.56

Contact factory for terminal location.

Tolerances unless otherwise specified are: .xx, ± .02; .xxx, ± .005.



RLC ELECTRONICS, INC.

83 Radio Circle, Mount Kisco, New York 10549 • Telephone: 914-241-1334 • Fax: 914-241-1753
e-mail: sales@rlcelectronics.com • www.rlcelectronics.com