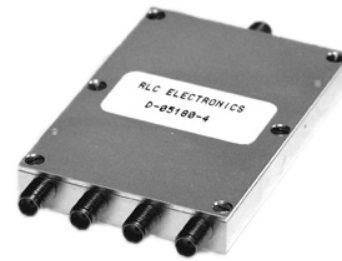


Broadband 4 Way Power Dividers



RLC Electronics' series D-05180-4, is a 0.5-18 GHz 4-way power divider with high isolation, small size and superior performance in a single package. With today's most advanced

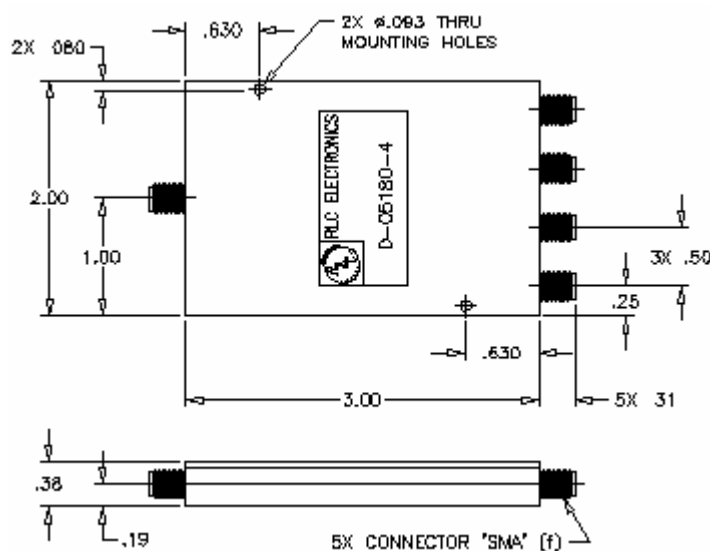
technology in CAD/CAM equipment & precision etching, complex multi-section designs have been developed using original analysis of microstrip theory.

Specifications D-05180-4

Frequency (GHz)	Insertion Loss (dB Max)	Isolation (dB Min)	VSWR		Amplitude (dB Max)	Phase Balance (°Max)	Input Power (Watts Max)
			In	Out			
0.5-1	1.6	5	3.00	1.80	+/-0.20	+/-1.0	10
1-2.0	.6	10	1.70	1.50	+/-0.20	+/-1.0	10
2.0-6	.5	17	1.50	1.30	+/-0.20	+/-2.0	10
6-16	.9	16	1.70	1.35	+/-0.30	+/-5.0	10
16-18	1.2	15	1.70	1.50	+/-0.30	+/-6.0	10

Connectors: SMA female to meet interface requirements of MIL-C-39012

OUTLINE DRAWING



Specifications subject to change without notification.

Tolerances unless otherwise specified are .xx +/- .02. xxx +/- .005

Specials requiring closer tolerances, different frequency ranges, special connectors different materials, finishes, etc. can be furnished upon request.



RLC ELECTRONICS, INC.

83 Radio Circle, Mount Kisco, New York 10549 Telephone 914-241-1334 Fax 914-241-1753
e-mail: sales@rlcelectronics.com www.rlcelectronics.com