

Surface Mount High Pass Filters



RLC Electronics' Surface Mount High Pass Filters provide the excellent response of our F-90 series filters, in a package suitable for surface mounting. Standard packages allow up to 6 sections, using RLC's CB, C1, C2, or T8S packages. Special packages or responses are available.

SMHP 1-2-3*

Model	Cut Off Frequency (MHz)	Number Of Sections	20 dB Point Typical	40 dB Point Typical	60 dB Point (min.)	3 dB Point Typical	Insertion Loss (max.)
SMHP	50 To 2,000	2	0.50 fc	0.25 fc	X	0.70 fc	1.0
		3	0.65 fc	0.50 fc	0.35 fc	0.80 fc	1.0
		4	0.73 fc	0.62 fc	0.50 fc	0.84 fc	1.0
		5	0.78 fc	0.72 fc	0.60 fc	0.88 fc	1.1
		6	0.82 fc	0.78 fc	0.68 fc	0.90 fc	1.2

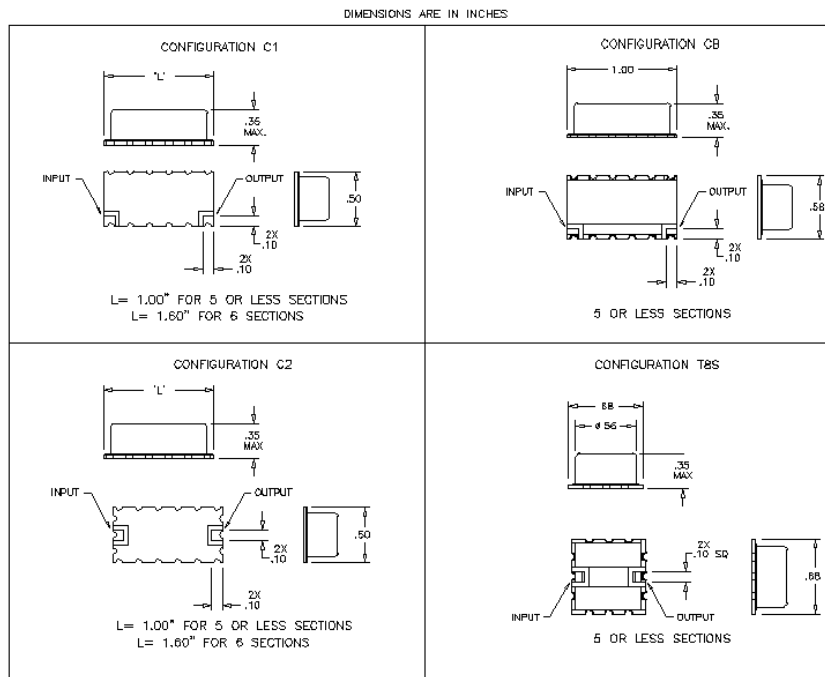
Power Rating: 2.0 watts
Temperature: -55°C to +85°C
Impedance: 50 ohms

Environment: Mil-E-5400, Class 1A
VSWR: 1.5:1, fc to 20x fc (4000 MHz max.)
Mounting: Surface Mount

To designate the filter desired use:

- (1) Cut-off frequency in MHz
 (2) Number of Sections
 (3) Configuration from Outlines

Example: SMHP-500-5-C2 is 500 MHz high pass, with 5 sections, in a C2 surface mount package.



Specifications subject to change without notification.

Tolerances unless otherwise specified are .xx +/- .02, xxx +/- .005

Specials requiring closer tolerances, different frequency ranges, special connectors, different materials, finishes, etc. can be furnished upon request.



RLC ELECTRONICS, INC.

83 Radio Circle, Mount Kisco, New York 10549 Telephone 914-241-1334 Fax 914-241-1753
 e-mail: sales@rlcelectronics.com www.rlcelectronics.com