

4th Order Absorptive Bessel Low Pass Filters



RLC Electronics' 4th Order Absorptive Bessel Filters provide the excellent group delay response of Bessel Filters while maintaining impedance matching far into the stop band. Resistive elements are designed into these filters, resulting in a response that closely

mimics the classic Bessel in both amplitude and phase. These filters are used in digital systems where truthful reproduction of waveforms is important. These filters are now available with -3dB cut-off frequencies as high as 10 GHz.

Specifications LBA-1

Model No.	-3 dB Cut-off Frequency (MHz)	f/fc	Nominal Attenuation (dB)	Attenuation Accuracy (dB) Cut-off < 4 GHz	Attenuation Accuracy (dB) Cut-off > 4 GHz
LBA-	10 to 10,000	0.2	-0.1	±.2	±.2
		0.4	-0.4	±.2	±.25
		0.6	-1.0	±.2	±.25
		0.8	-1.9	±.2	±.3
		1.0	-3.0	±.2	±.3
		1.2	-4.5	±.48	±.55
		1.33	-5.7	±.59	±.75
		1.4	-6.4	±.64	±.85
		1.6	-8.5	±.74	±1.00
		1.8	-10.9	±.89	±1.2
		2.0	-13.4	±1.00	±1.6
		2.67	-21.5	N/A	N/A

Impedance: 50 ohms

VSWR: 1.5:1 to 2X 3dB cut-off or 8GHz (Whichever is less)
1.65:1 to 2X 3dB cut-off or 18 GHz (Whichever is less)

Connector Type: SMA female / male

Temperature: -55C to +85C

Environmental: MIL-E-5400, Class 1A

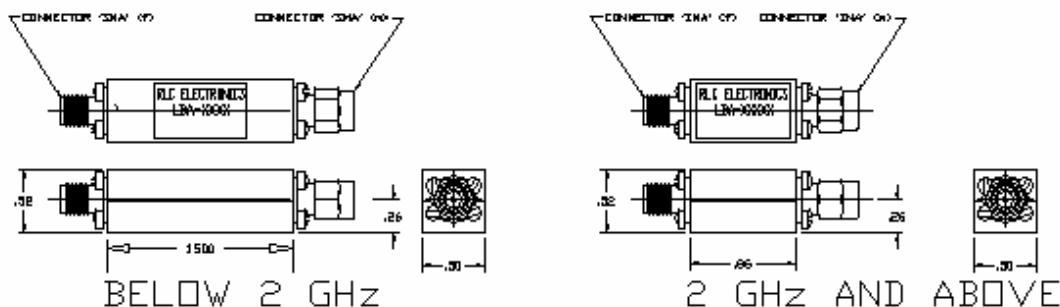
Power Rating: 0.5 watts average

Connector Type: SMA Female

To designate the filter desired use:

- (1) 3dB cut-off frequency in MHz

OUTLINE DRAWING



Specifications subject to change without notification.

Tolerances unless otherwise specified are .xx +/- .02. xxx +/- .005

Specials requiring closer tolerances, different frequency ranges, special connectors different materials, finishes, etc. can be furnished upon request.



RLC ELECTRONICS, INC.

83 Radio Circle, Mount Kisco, New York 10549 Telephone 914-241-1334 Fax 914-241-1753
e-mail: sales@rlcelectronics.com www.rlcelectronics.com